

PLEASE CHECK WWW.MOLEX.COM FOR LATEST PART INFORMATION

Part Number: **0194180038**
Status: **Active**
Overview: mx150l sealed connector system
Description: MX150L™ 12 Circuit Receptacle for 18-22 AWG Wire, without CPA

Documents:

[3D Model](#)
[Drawing \(PDF\)](#)
[Packaging Specification \(PDF\)](#)
[Product Specification PS-19417-001 \(PDF\)](#)
[RoHS Certificate of Compliance \(PDF\)](#)

Agency Certification

CSA LR18689
 UL E152602

General

Product Family Crimp Housings
 Series 19418
 Overview mx150l sealed connector system
 Product Literature Order No 987650-2181
 Product Name MX150L™

Physical

Circuits (maximum) 12
 Flammability 94V-0
 Gender Female
 Glow-Wire Compliant No
 Lock to Mating Part Yes
 Number of Rows 2
 Packaging Type Bag
 Panel Mount No
 Pitch - Mating Interface (in) 0.230 In
 Pitch - Mating Interface (mm) 5.84 mm
 Polarized to Mating Part Yes
 Stackable No
 Temperature Range - Operating -40°C to +125°C

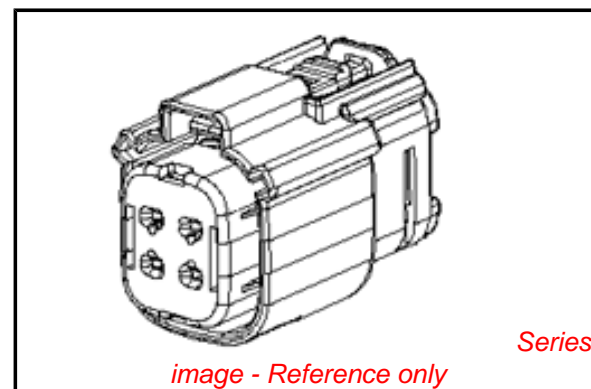
Electrical

Current - Maximum per Contact 18A

Material Info

Reference - Drawing Numbers

Packaging Specification PK-19418-001
 Product Specification PS-19417-001
 Sales Drawing SD-19418-006



EU RoHS

ELV and RoHS Compliant
REACH SVHC
 Not Reviewed
Halogen-Free Status
 Not Reviewed

China RoHS



Need more information on product environmental compliance?

Email productcompliance@molex.com
 For a multiple part number RoHS Certificate of Compliance, [click here](#)

Please visit the [Contact Us](#) section for any non-product compliance questions.

Search Parts in this Series

19418Series

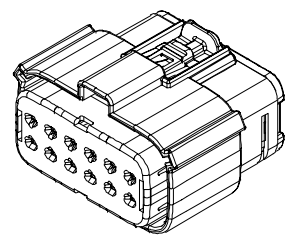
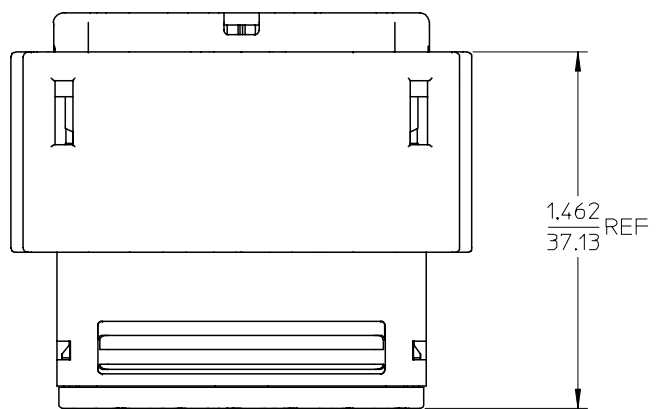
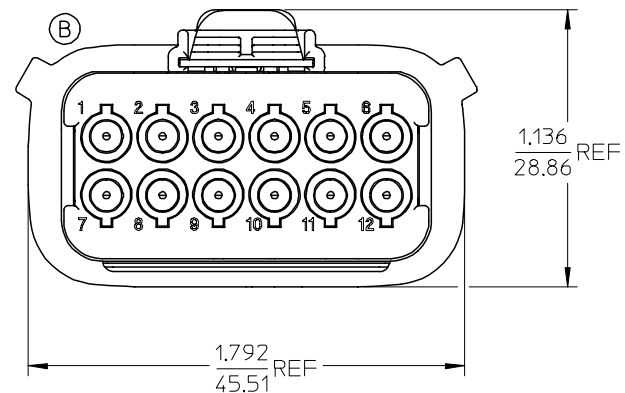
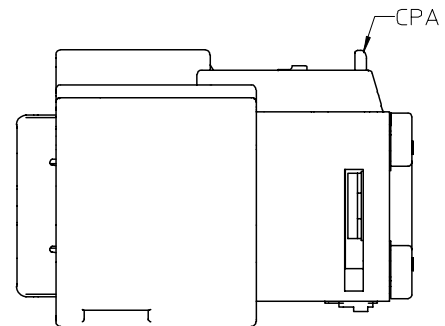
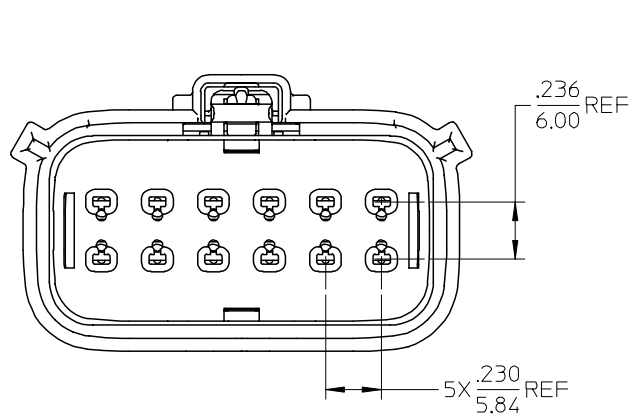
Mates With

19419 , 19429

Use With

19420 Female Crimp Terminal

10 9 8 7 6 5 4 3 2 19418



NOTES:
 1. ASSEMBLY PACKAGED PER PK-19418-001.
 2. USE CONNECTOR WITH FEMALE CRIMP TERMINAL: SERIES 19420.

194180037	12	16-14	NO
194180038	12	22-18	
194180027	12	16-14	YES
194180026	12	22-18	
MATERIAL NUMBER	CIRCUIT SIZE	UL WIRE AWG	CPA

EC NO: ETC2005-0074 DRWN: DMYRICK 2004/10/15 CHKD: JPAWLICK 2004/10/15 APPR: RDEROSS 2004/10/15	QUALITY SYMBOLS	GENERAL TOLERANCES (UNLESS SPECIFIED)		SCALE 2:1	DESIGN UNITS INCH	THIRD ANGLE PROJECTION	REVISE ON CAD ONLY	
	DESCRIPTION ▽ = 0 ◻ = 0	4 PLACES	mm	INCH	DIMENSION STYLE IN/MM		TITLE 12 WAY RECEPTACLE ASSEMBLY	
		3 PLACES	± ---	± ---	DRAWN BY DMYRICK DATE 03/12/11		MATERIAL NO. MOLEX INCORPORATED	
		2 PLACES	± 0.38	± ---	CHECKED BY JPAWLICK DATE 03/12/11		DOCUMENT NO. SD-19418-006	
1 PLACE	± ---	± ---	ANGULAR ± 1 °	APPROVED BY RDEROSS DATE 03/12/11		SHEET NO. 1 OF 1		
DRAFT WHERE APPLICABLE		MUST REMAIN WITHIN DIMENSIONS		THIS DRAWING CONTAINS INFORMATION THAT IS PROPRIETARY TO MOLEX INCORPORATED AND SHOULD NOT BE USED WITHOUT WRITTEN PERMISSION				

8 7 6 5 4 3 2 1